

Datasheet



Dynamex LED Exit

CAT. NO. 659088LI, 659089LI, 659090LI, 659091LI, 659092LI, 659093LI, 659108LI, 659109LI, 659110LI, 659111LI, 659112LI, 659113LI, 659114LI, 659115LI, 659116LI

NOTE: **Dynamex Logic Controller (659456) required and has to be ordered separately. Contact Legrand for configuration options.**





Positive Mode



Normal Mode



Negative Mode

Operation Mode	Maintained with Positive Mode and Negative Mode
Nominal Input Voltage	230 - 240 V a.c. 50 Hz
Voltage for Dynamic Terminals Input	0.9 - 1.3 V
Light Source	LED
Battery	Li-ion 1.5 Ah, 12.8 V
Operating Temperature	10° C to 40° C
Power Consumption	Up to 14 W (Positive and Negative Mode) Up to 8 W (Normal Mode)
Inrush current	16.5 A
Body Construction	White powder-coated Zinc Steel
Diffuser	Inner: High quality Acrylic Outer: Screen printed medium density Opal Acrylic
IP Rating	IP20
Compliance	AS/NZS 4268, AS/NZS 60598, AS/NZS 2293 (Normal Mode), AS CISPR 15
Product Marking	  R-NZ



Dynamex LED Exit



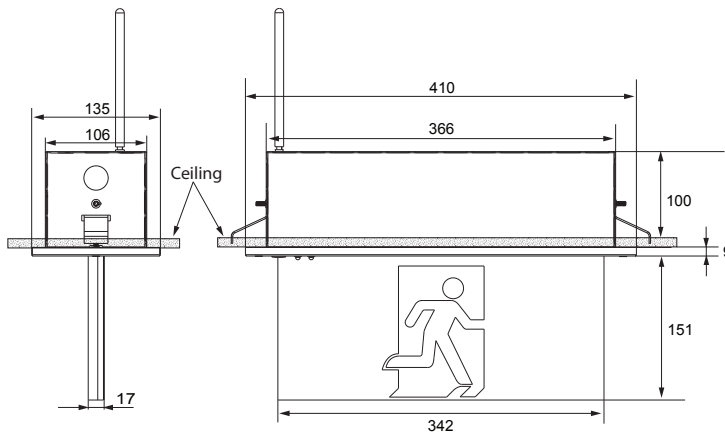
CAT. NO. 659088LI, 659089LI, 659090LI, 659091LI, 659092LI, 659093LI, 659108LI, 659109LI, 659110LI, 659111LI, 659112LI, 659113LI, 659114LI, 659115LI, 659116LI

FEATURES

- 3-in-one Dynamic Exit Sign with Normal, Positive and Negative Modes.
- Slim edge light design.
- Robust and easy to install.
- Embedded Bluetooth for smart device connectivity.
- Low Power Wide Area Network type of communications utilising the LoRa platform.
- LoRa communication to maximise reliability, coverage and infiltration.
- iSmart™ temperature sensing technology for the LIION battery.
- Electronics designed to lengthen the life of the battery, minimising maintenance costs.
- Environmentally friendly battery.
- Available in three installation options: Recessed, Suspended and Surface Mount.
- Electrical interface to be a normally open or closed, non-latched, voltage free contact from the fire panel.
- 5 Year Warranty.
- Designed and Manufactured in Australia.

DIMENSIONS

Recessed



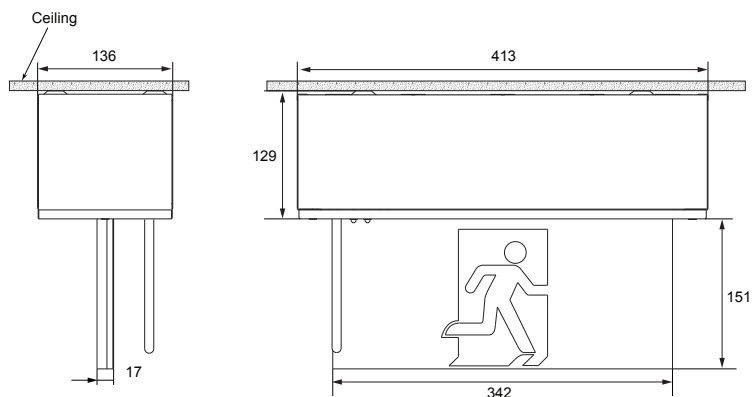
Note: All dimensions are in mm.

Dynamex LED Exit

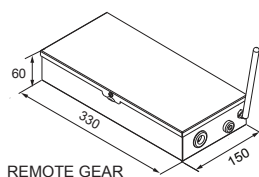
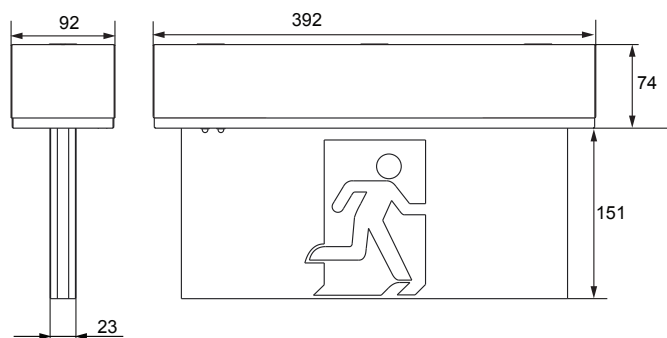
CAT. NO. 659088LI, 659089LI, 659090LI, 659091LI, 659092LI, 659093LI, 659108LI, 659109LI, 659110LI, 659111LI, 659112LI, 659113LI, 659114LI, 659115LI, 659116LI



Surface Mounted



Suspended



*Dynamex Rod Suspension will require a $\varnothing 25$ mm diameter rod kit (not included and is required) to allow the 10 m supplied cable to feed through and terminate at the Exit sign head.

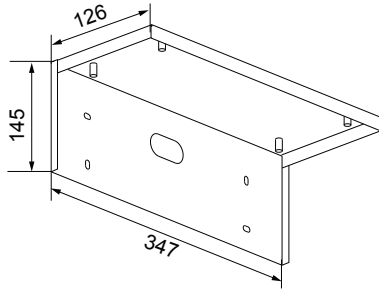
Note: All dimensions are in mm.

Dynamex LED Exit

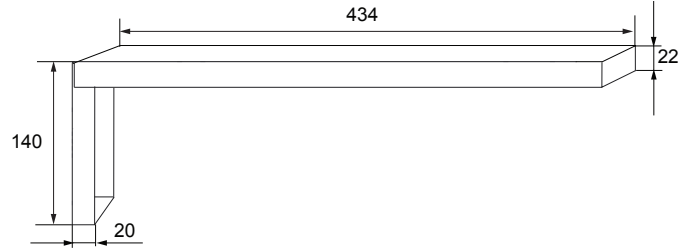
CAT. NO. 659088LI, 659089LI, 659090LI, 659091LI, 659092LI, 659093LI, 659108LI, 659109LI, 659110LI, 659111LI, 659112LI, 659113LI, 659114LI, 659115LI, 659116LI



Wall Bracket Accessory



L - Bracket Accessory



Cat. No.	Description	Cat. No.	Description	Cat. No.	Description	No. of inputs*
Recessed		Surface mounted		Suspended		
659090LI	DYNAMEX SS RMS LI	659093LI	DYNAMEX SS RMS LI	659112LI	DYNAMEX SS RMS LI	2
659089LI	DYNAMEX SS RML LI	659092LI	DYNAMEX SS RML LI	659113LI	DYNAMEX SS RML LI	2
659088LI	DYNAMEX SS RMR LI	659091LI	DYNAMEX SS RMR LI	659114LI	DYNAMEX SS RMR LI	2
659108LI	DYNAMEX DS RMS LI	659110LI	DYNAMEX DS RMS LI	659115LI	DYNAMEX DS RMS LI	4
659109LI	DYNAMEX DS RMLR LI	659111LI	DYNAMEX DS RMLR LI	659116LI	DYNAMEX DS RMLR LI	4
Accessories						
659457	DYNAMEX L- BRACKET - WHITE					
659458	DYNAMEX WALL BRACKET - WHITE					

RMS = Running Man Straight, RML = Running Man Left, RMR = Running Man Right, RMLR = Running Man Left/Right, DS = Double-Sided, SS = Single-Sided, LI = Lithium battery

** Refer to the Dynamex Logic Controller for more details.

Note: Dynamex Logic Controller (659456) required and has to be ordered separately

Note: All dimensions are in mm.

Legrand - Australia
1300 369 777
www.legrand.com.au
ABN 31 000 102 661

Legrand - New Zealand
0800 476 009
www.legrand.co.nz

Refer to your group buying office, Legrand Sales Representative or Legrand Sales Office for pricing.

Please note: specifications are subject to change without prior notice.

